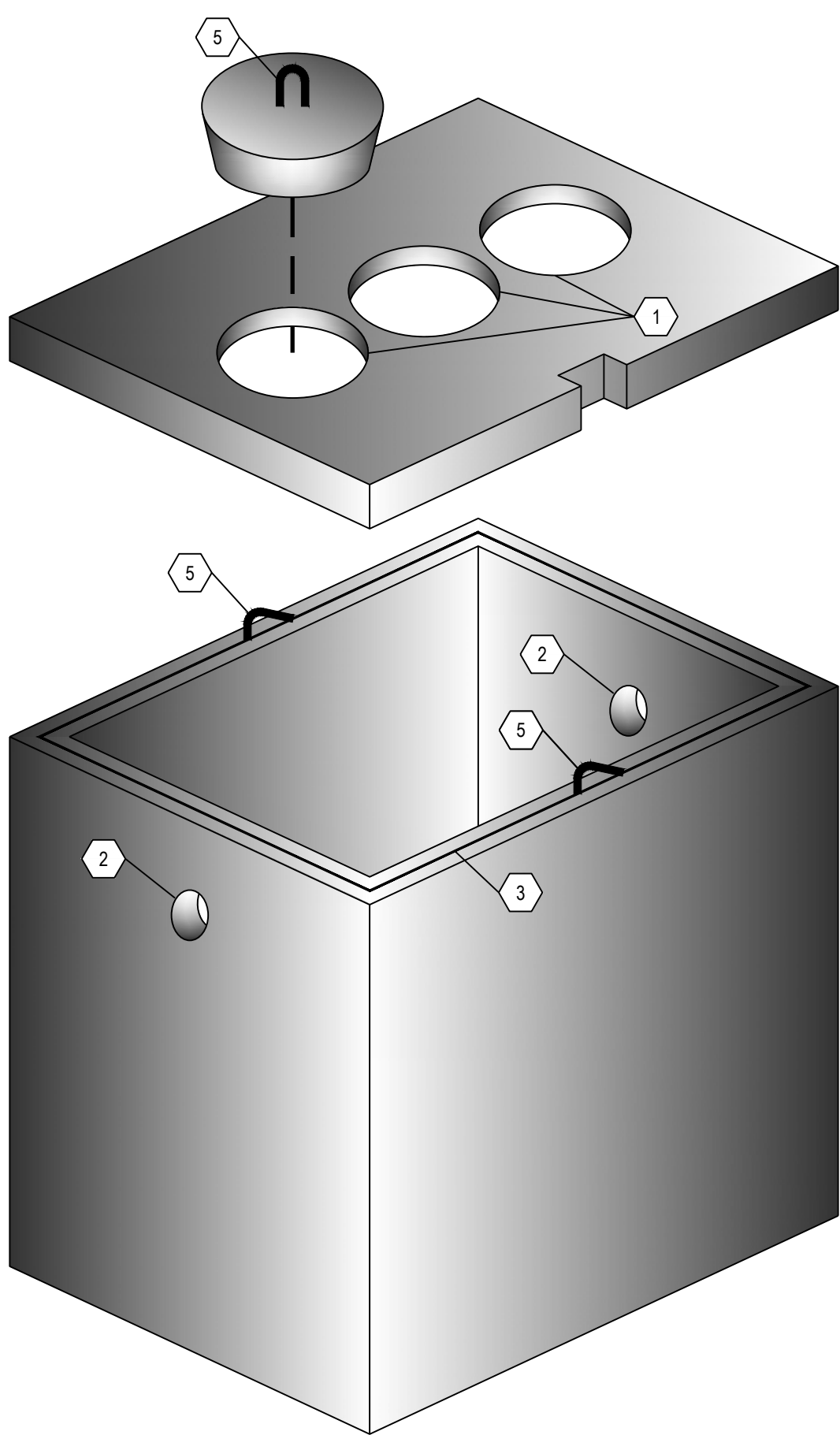
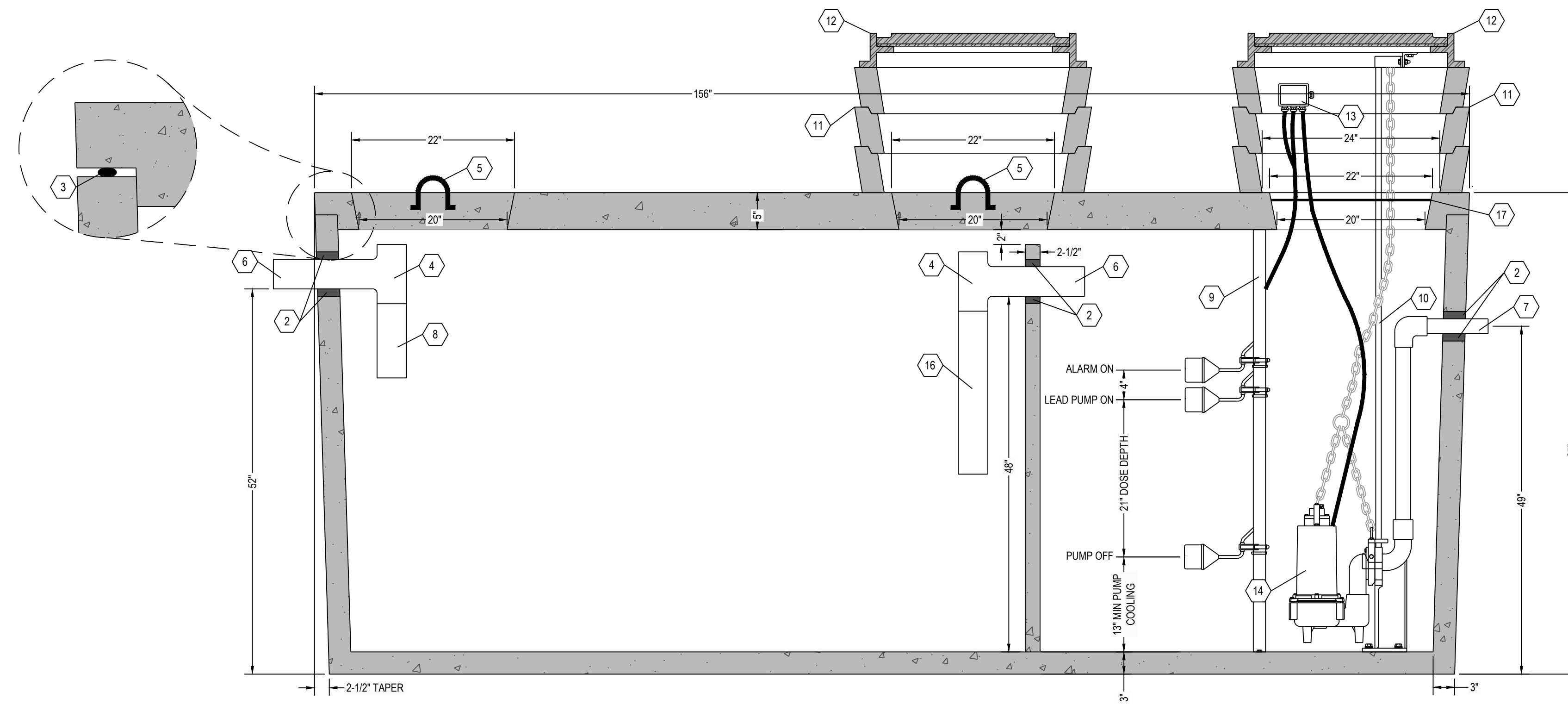


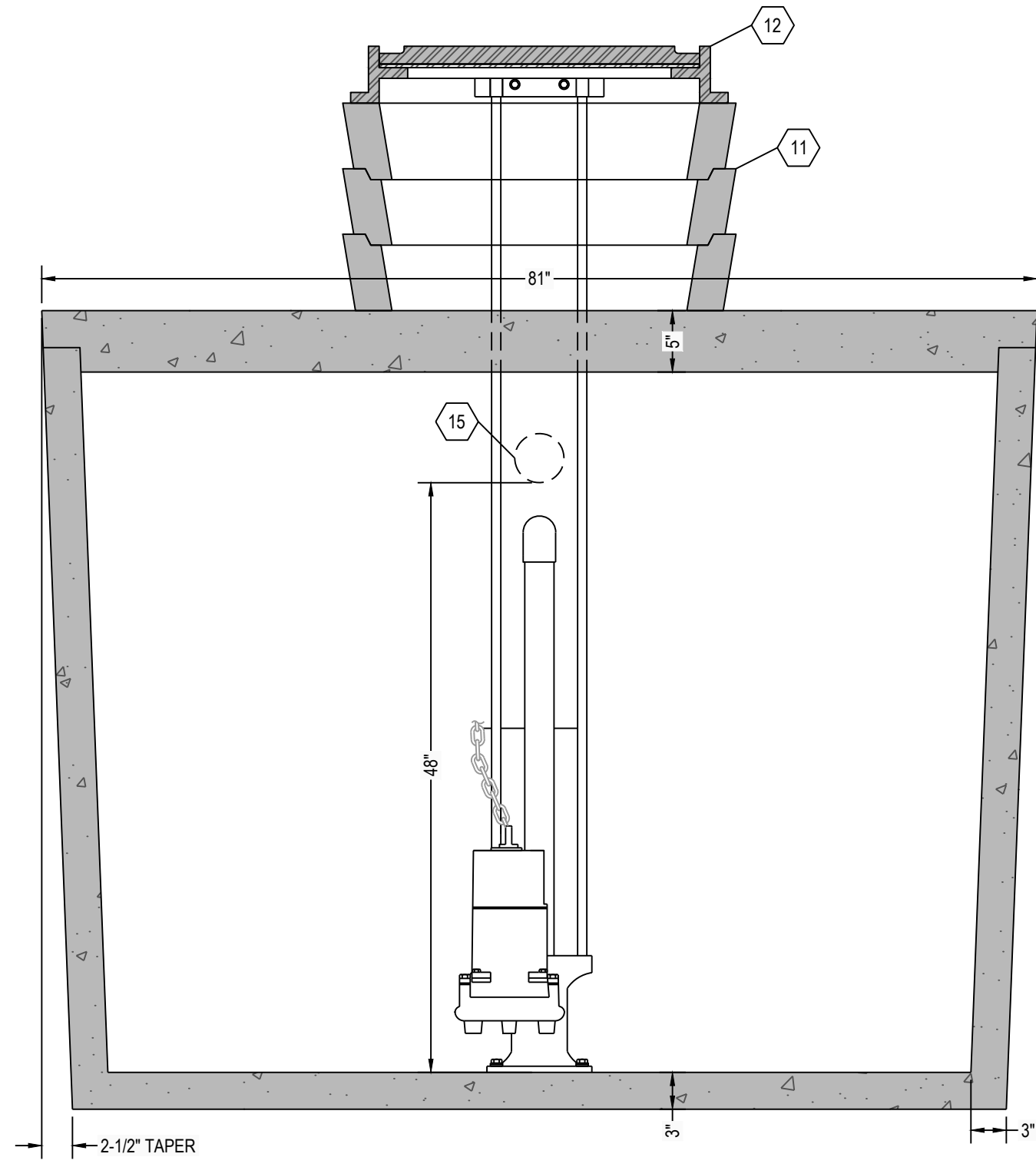
**A5 COMBO TANK TOP VIEW**  
1" = 1"



**A6 THREE DIMENSIONAL ISOMETRIC VIEW**  
NTS



**A5 COMBO TANK SECTION VIEW**  
1" = 1"



**C3 COMBO TANK SECTION VIEW**  
1" = 1"

**DOSING CHAMBER ELEVATIONS**

DESCRIPTION	ELEVATION (FEET)
BOTTOM OF CHAMBER	0.00
PUMP OFF	1.08
PUMP ON	2.83
ALARM	3.17
LAG PUMP ON	N/A

**NOTE:**  
1. 24" DIAMETER POLY RISERS OR CUSTOM RECTANGULAR RISERS WITH ALUMINUM HATCHES ARE AVAILABLE AS SUBSTITUTES TO POLY RISER AS SHOWN HEREON.  
3. HIGH PRESSURE CLOSED END BOOT SEALS ARE AVAILABLE AS SUBSTITUTES TO RUBBER GASKET TYPE SEALS AS SHOWN HEREON.

**KEYNOTE INDEX**

1	20" DIAMETER MANHOLE OPENING
2	6" POLYLOK TYPE VI BOOT SEAL OR 2" PRESS SEAL
3	MASTIC ROPE
4	SANITARY TEE AT INLET
5	3/8" DIAMETER LIFTING HOOKS
6	4" OR 6" DIAMETER INLET
7	X" DIAMETER OUTLET
8	12" EXTENSION AT INLET
9	FLOAT POLE ASSEMBLY WITH STAINLESS STEEL HARDWARE
10	RAIL SYSTEM WITH STAINLESS STEEL RAILS & HARDWARE
11	CONCRETE GRADE RING (AS NECESSARY)
12	LOCKABLE ALUMINUM HATCH & FRAME
13	WATERTIGHT ELECTRICAL JUNCTION BOX
14	DOSING PUMP
15	THREE (3) 4" DIAMETER PORTS THROUGH INTERIOR WALL - SEE NOTE 6
16	24" EXTENSION AT INLET
17	SAFETY GRATE

**DESIGN DATA:**

- EARTH COVER = 3 FEET MAX
- ALLOWABLE WHEEL LOAD = 2500 LB MAX
- CONCRETE MINIMUM COMPRESSIVE STRENGTH = 5,090 PSI @ 28 DAYS
- LIFTING HOOKS ARE 3/8" DIAMETER, ASTM A36 COLD ROLLED STEEL
- COMBO TANK LID IS REINFORCED WITH 6 X 6 W8.0 X W8.0 WELDED WIRE FABRIC
- COMBO TANK BOTTOM AND SIDES ARE REINFORCED WITH 6 X 6 W10.0 X W10.0 WELDED WIRE FABRIC.

**IPANEX**

7. ALL CONCRETE IN THIS PRODUCT CONTAINS IPANEX, AN ADMIXTURE TO WATERPROOF THE CONCRETE AND PROVIDE CORROSION CONTROL

**CASTING WEIGHTS**

WEIGHT OF LID: 5,484.4 LBS  
 WEIGHT OF TANK: 9,697.9 LBS  
 TOTAL CASTING WEIGHT: 15,182.3 LBS

**SEPTIC COMPARTMENT CAPACITY:**  
 LIQUID STORAGE = 1287 GALLONS  
 28.0 GALLONS PER INCH

**DOSING COMPARTMENT CAPACITY:**  
 LIQUID STORAGE = 753 GALLONS  
 16.4 GALLONS PER INCH  
 MAXIMUM DOSE = XXX GALLONS (XX")  
 PUMP COOLING = 213 GALLONS (13")  
 UNUSED (ALARM) = 66 GALLONS (4")  
 TOTAL = XXX GALLONS (XX")

**NOTES:**

- SET PUMP ON FLOAT SWITCH ELEVATION ACCORDING TO ELEVATION TABLE (BELOW) WHICH YIELDS THE REQUIRED DOSE VOLUME OF XXX GALLONS.
- CONTRACTOR SHALL INSTALL CONTROL PANEL ACCORDING TO PUMP MANUFACTURER'S RECOMMENDATION.
- COORDINATE POWER & ALARM SERVICE PRIOR TO CONSTRUCTION ACTIVITIES.
- ONLY NON-CORROSIVE MATERIALS SHALL BE UTILIZED WITHIN THE DOSING TANK AND FOR THE RISER AND LID (NO GALVANIZED, PAINTED, OR EXPOSED STEEL).
- AUDIO VISUAL ALARM CIRCUIT MUST LOCK ON WITH ANY PUMP FAILURE WITH MANUAL RESET.
- THE INLET PORTS THROUGH THE INTERIOR WALL SHALL BE PROVIDED WITH A SANITARY TEE AND TS-4PRO RUBBER GASKET SEAL BY TUF-TITE. THE SANITARY TEE SHALL BE LOCATED OUTSIDE THE PUMP VAULT (IN THE SEPTIC COMPARTMENT). A 12" LONG DOWNWARD EXTENSION SHALL BE PROVIDED AT THE SANITARY TEE. AN UPWARD EXTENSION SHALL BE PROVIDED AT THE SANITARY TEE SUCH THAT THE TOP OF EXTENSION EXTENDS BEYOND THE ALARM ELEVATION.

# RENSELAER SEPTIC TANKS

1211 NORTH WESTON STREET  
 P.O. BOX 70  
 RENSELAER, INDIANA 47978  
 phone: (219) 866-5063  
 (800) 240-5123  
 fax: (219) 866-3894

PROJECT NAME  
 CLIENT NAME  
 ADDRESS

PROJECT NO: ---  
 FILE: 2000 GAL- DUAL- NT- SIMPLEX.DWG  
 DRAWN BY: ASJM  
 CHECKED BY: PEW

TITLE:  
**MANUFACTURER'S  
 DETAIL DRAWING**  
 2000 GALLON COMBO  
 NO TRAFFIC  
 SIMPLEX DOSING

**R-000**

\* ALL RENSELAER SEPTIC TANKS ARE MONOLITHICALLY Poured \*

This drawing is the property of Rensselaer Septic Tanks. It is submitted for reference purposes only. © 2008 Rensselaer Septic Tanks